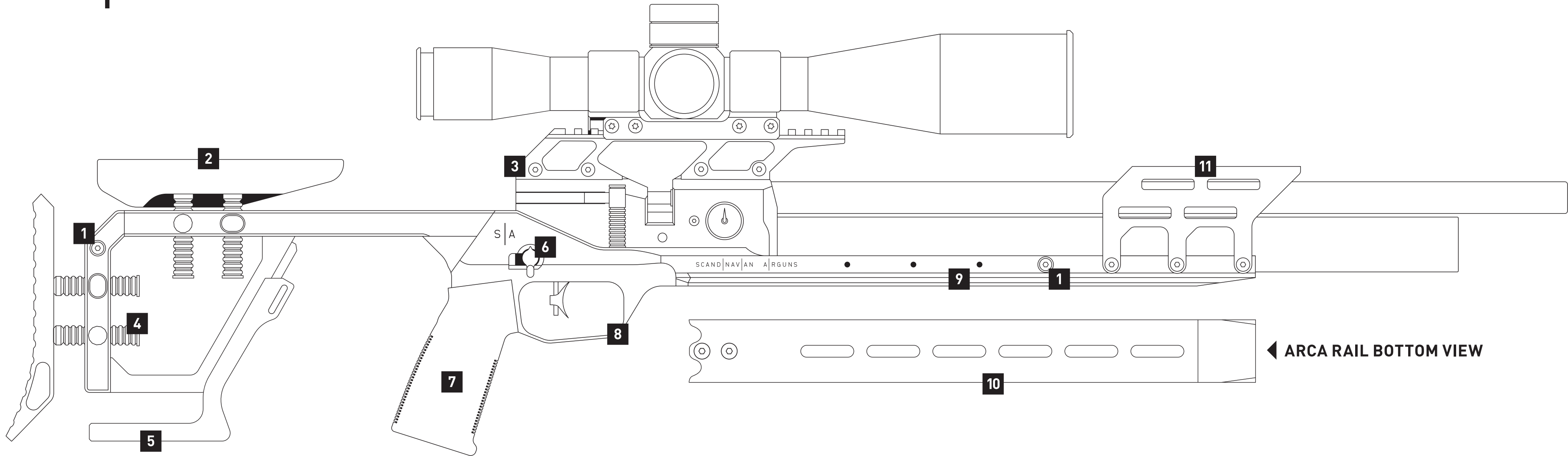


S | A

JET AIR SCHEMATIC



- 1. Flush cups for QR sling swivel (rear and front)
- 2. Adjustable cheek rest
- 3. 20MOA/6mrad Picatinny scope base (optional)
- 4. Adjustable length of pull

- 5. Adjustable Bag Rider
- 6. Ambidextrous safety
- 7. AR-15 style grip
- 8. Large trigger guard

- 9. Integrated ARCA rail
- 10. M-LOK® slots under the ARCA rail.
- 11. M-LOK® Accessories mount (Optional)